

**Specification Status: Released**

**Electrical Rating**

**Voltage: 15V MAX**  
**Current: 100A MAX**

Chip Size: 5 X 12mm

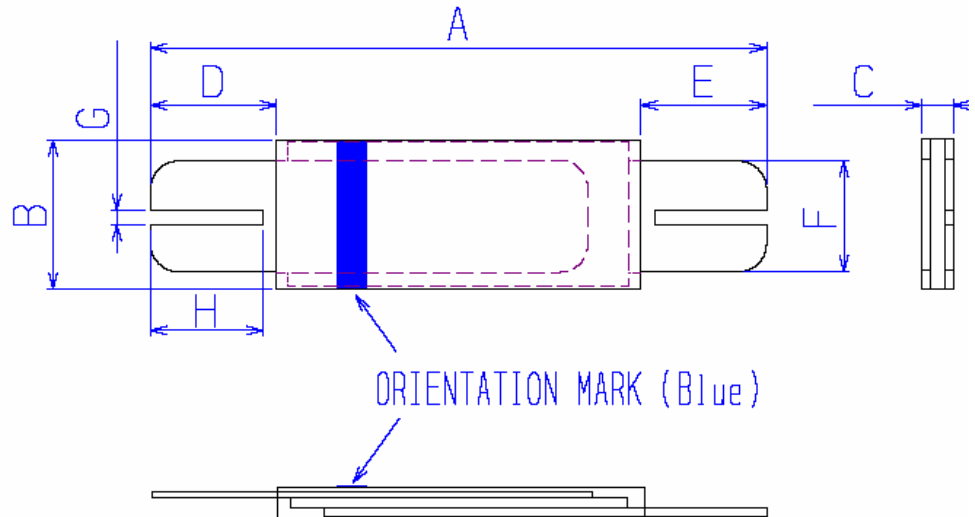
Leads: Nickel 1/4H  
 0.125mm nominal thickness

Tape: Polyester (White)  
 13mm Width

Solder: Lead-free

Marking: (Color: Green)

- Manufacturer's Mark
- XX 175 — Part Identification
- — Lot Identification



**TABLE I. DIMENSIONS:**

	A		B		C		D		E		F		G	
	MIN	MAX	MIN	MAX	MIN	MAX	MIN	MAX	MIN	MAX	MIN	MAX	MIN	MAX
mm:	20.9	23.1	4.9	5.2	0.6	1.0	4.1	5.5	4.1	5.5	3.9	4.1	0.3	0.7
in*:	(0.82)	(0.91)	(0.19)	(0.21)	(0.02)	(0.04)	(0.16)	(0.22)	(0.16)	(0.22)	(0.15)	(0.16)	(0.01)	(0.03)

	H	
	MIN	MAX
mm:	3.8	4.2
in*:	(0.15)	(0.17)

\*Rounded off approximation

**TABLE II. PERFORMANCE RATINGS: As measured in Mueller Kelvin Clips model BU-75K.**

I HOLD	CURRENT TRIP LIMITS								TIME TO TRIP		REFERENCE RESISTANCE		ONE-HOUR POST-TRIP RESISTANCE		TRIPPED-STATE POWER DISSIPATION	
	AMPS 20°C HOLD	AMPS AT 0°C HOLD	AMPS AT 20°C TRIP	AMPS AT 60°C HOLD	AMPS AT 60°C TRIP	AMPS AT --°C HOLD	AMPS AT --°C TRIP	SECONDS AT 20°C, 8.75A TYP	SECONDS AT 20°C, 8.75A MAX	OHMS AT 20°C MIN	OHMS AT 20°C MAX	OHMS AT 20°C MIN	OHMS AT 20°C MAX	WATTS AT 20°C, 15V TYP	WATTS AT 20°C, 15V MAX	
1.75	2.0	4.4	1.75	3.8	1.2	2.7	--	--	--	5	0.050	0.090	0.050	0.120	--	1.5

Agency Recognitions:  
 Reference Documents:  
 Precedence:  
 Effectivity:  
 CAUTION:  
 Materials Information:

UL, TUV, CSA  
 PS300  
 This specification takes precedence over documents referenced herein.  
 Reference documents shall be the issue in effect on the date of invitation for bid.  
 Operation beyond the rated voltage or current may result in rupture, electrical arcing or flame

**ROHS Compliant**

Directive 2002/95/EC  
 Compliant

**ELV Compliant**

Directive 2000/53/EC  
 Compliant

**Pb-Free**

